

MPEPTM
M. P. ENGG. PRODUCTS



COMMITTED TO
EXCELLENCE

www.mpep.co.in

WHO WE ARE

Our journey started in 1978, initiated by Lt. Ganendra Nath Senapati. We worked under his influence, dedication and imbuing spirit as our guide. We are manufacturer, importer and supplier of all kinds of mechanical & steel fabricated equipments, material handling equipments, railway components, cast iron items, cement plant equipments, miscellaneous mechanical items with complete machining quality control.

We are SPECIALIST in Industrial Blower, Steel Plant equipments, Power Plant equipments, Pellet, Direct Reduced Iron Plant, Ferro Alloy Plant, Wire Rod Mill, Continuous Casting Metal, Steel Melting Shop, Sponge Iron Division, Rolling Mill components, Material Handling Equipments etc.

These Products are made up of high grade raw materials and state of the art technology. Our quality products are widely appreciated for their durability, corrosion resistant properties, easy maintenance and other attributes. Our products can be tailored as per clients' requirements. We take utmost care in every stage of manufacturing to meet the customer requirement as per specifications, right from purchase of raw materials to final delivery of products to attain maximum customer satisfaction.



Lt Ganendra Nath Senapati
Founder MPEP



WHAT WE MANUFACTURE

GEAR
SHAFT
SPROCKET
BUSH
COUPLINGS
BEARING CHOCKS
FLYWHEEL
PULLEY
WHEEL SPACER
FORGED ROLLS
IMPELLER
SPRAY NOZZLES
ROLLER ENTRY GUIDE
INDUSTRIAL DAMPER
SHEARING BLADES
INDUSTRIAL FASTENERS
PLUMMER BLOCK
CAST IRON COMPONENTS
INDUSTRIAL BLOWER
MACHINING COMPONENTS
CNC & VMC JOB WORKS
BUCKET ELEVATOR
SCREW CONVEYOR &
BELT CONVEYOR
IDLERS
PNEUMATIC SLIDE GATE
CYCLONE SEPARATOR
VIBRATORY SCREENING MACHINE
EDDY CURRENT SEPARATOR
DUST COLLECTOR
ROTARY AIR LOCK VALVE
FABRICATION

Page No.	Products
04	Why MPEP, Strength & Structure
05	Certificates of Quality & Excellence
06	Gear, Shaft, Coupling, Sprocket, Bush
07	Bearing Chock, Flywheel, Pulley, Wheel Spacer
08	Forged Roll, Impeller, Spray Nozzle, Roller Entry Guide
09	Plummer Block, Industrial Damper, Shearing Blade Industrial Fasteners

Page No.	Products
10	Cast Iron Components, Machining Components Industrial Blower, CNC & VMC Job Works
11	Screw Conveyor & Belt Conveyor, Bucket Elevator Idler, Pneumatic Slide Gate
12	Cyclone Separator, Vibratory Screening Machine Eddy Current Separator
13	Dust Collector, Rotary Air Lock Valve
14	Fabrication

WHY MPEP

REGISTERED WITH

- NSIC
- MSME
- Udyog Aadhaar
- Zed (Zero Defect, Zero Effect)

ACHIEVEMENTS

- Certified with ISO 9001:2008 in the year 2015
- Certified with ISO 9001:2015 in the year 2018 & 2021
- India's 5000 Best MSME Award 2018
- Own Export License

MEMBER OF

- Federation of Small & Medium Industries
- Federation of Association of Small Industries
- Federation of Indian Export Organisations

STRENGTH & STRUCTURE

MANPOWER

We have potential strength of qualified engineers and skilled workers which assures of precision, quality and excellence.

WORKSHOP

We have a modern workshop fully equipped with Lathe Machine Drill Machine, Grinding Machine, Welding Machine & Gas Cutting Set.

OUTSOURCING

We have outsourcing capacity to ensure timely completion of any jobs of any quantity or specification

QUALITY CONTROL

- Certified with ISO 9001 : 2015 in the year 2018 & 2021
- All measuring tools are calibrated & certificated by trusted laboratory
- Materials are tested and certified by NABL Laboratory (Chemical, Physical & Tensile test)
- Certificated by RITES Ltd (Govt. of India) for Hardened Washer for SEJ.
- W.B.P.C.B tested Laboratory



BSCIC
CERTIFICATE OF REGISTRATION

QUALITY MANAGEMENT SYSTEM

This is to certify that:

M. P. ENGG. PRODUCTS
REGD. OFFICE & WORKS: ICHAPUR ROAD
SEALDANGA, KALITALA, SANTRAGACHI
HOWRAH - 711 104, WEST BENGAL, INDIA

hereby granted the Certificate Number: **BN12745/12587:0515**

Subsequent to the assessment conducted on 07-May-2015 and the organization has been found to be operating a Quality Management System which complies with the requirements of

ISO 9001:2008
for the following scope:

Design, Manufacture and Supply of Pollution Control Equipment, Parboiling Equipment & Ventilation System Equipment

Originally Registered: 18 May 2015 Latest Issue: 18 May 2015 Expiry Date: 17 May 2018

For BSCIC CERTIFICATIONS PVT.LTD.

Page 1 of 1

Sanjay Seth
Managing Director

Validity of this Certificate is subject to Annual Surveillance Audits to be done Successfully on or before 07-May-2016 and 07-May-2017 resp.
(In case of Surveillance Audit is not allowed to be conducted, this Certificate shall be Suspended/Withdrawn).
This certificate is granted subject to the terms and conditions of the BSCIC Certification Scheme for Registration and ISO 9001:2008 certification. Please see BSCIC website for more details.
The Certificate of Registration remains the property of BSCIC Certifications Pvt. Ltd. and shall be returned immediately upon request.
BSCIC Certifications Pvt. Ltd. 204/1st Floor, 309/1st Floor, Sector - 25/2, Parkside 520001, Kolkata, India.

Certificate of Registration

This is to Certify that
Quality Management System of

M/S. M.P. ENGG. PRODUCTS
ICHAPUR ROAD, SEALDANGA, KALITALA, P.O. : SANTRAGACHI,
P.S.: JAGACHA, HOWRAH - 71104, WEST BENGAL, INDIA.

has been assessed and found to conform to the requirements of

ISO 9001:2015
for the following scope:

DESIGN, MANUFACTURE AND SUPPLY OF AIR POLLUTION CONTROL EQUIPMENTS, PARBOILING EQUIPMENTS, MATERIAL HANDLING EQUIPMENT, WATER TREATMENT PLANT AND RAILWAY EQUIPMENTS.

Certificate No : 21HQH41
Initial Registration Date : 26/07/2011 Issuance Date : 26/07/2021
Date of Expiry : 25/07/2024
1st Surve. Due : 26/06/2022 2nd Surve. Due : 26/06/2023

Director

IAS ACCREDITED
Management Systems
Certification Body
MSCB-119

MEMBER OF MULTINATIONAL
CERTIFICATION ASSOCIATION
IAF

AQCC MIDDLE EAST LLC
Head Office: Office No. 02, Ground Floor, Sharjah Media City, Sharjah, UAE. e-mail: info@aqcc.com
Key Locations: A-041, Sector - 2, Saida, Umm Rashid, 20000, India.
Validity of the Certificate is subject to successful completion of surveillance audits on or before the due date. In case surveillance audit is not allowed to be conducted, this certificate shall be suspended/withdrawn.
Certificate Significance: Please check the validity of certificate at <http://www.aqcc.com> or www.aqcc.com at any time.
Certificate is the property of AQCC Middle East LLC and shall be returned immediately upon demand.

Government of India
Ministry of Commerce and Industry
Department of Commerce
Directorate General of Foreign Trade
Office of the Additional Director General of Foreign Trade, Kolkata
4, Esplanade East, KOLKATA
Importer-Exporter certificate

1. आईसीटी / IEC : DJTPS4623G
2. फर्म का नाम/Firm Name : M. P. ENGG. PRODUCTS
3. निगम की प्रकृति /Nature of Concern : Proprietorship
4. पता/Address

Address Line 1	Address Line2	City	District	State	PIN Code
ICHAPUR SEALDANGA KALITALA	PO : SANTRAGACHI	HOWRAH	HOWRAH	WEST BENGAL	711104

5. धारक का नाम / Name of the signatory applicant : SUPARNA SENAPATI
6. जारी करने की तारीख/Date of Issue : 04/09/2020
7. स्थाई खाता सं.(एन) /PAN : DJTPS4623G
8. शाखा/इकाई का पता/Address of the Branch/Div./Unit if any :

S.No	Address1	Address2	City	District	State	Pincode
1	ICHAPUR SEALDANGA KALITALA	PO : SANTRAGACHI	HOWRAH	HOWRAH	WEST BENGAL	711104

स्थान /Place : HOWRAH
तारीख/Date of Last Modification : 04/09/2020

(Issued from File no. /[KOLIECPAPPLY00002172AM21] तारीख से जारी /dated : 04/09/2020)

Note : This is a system generated copy. In case of any discrepancy, please approach the DGFT Regional Authority (RA) concerned within 2 working days from date of last modification

भारत सरकार
Government of India
मूल्य, लघु एवं मध्यम उद्यम मंत्रालय
Ministry of Micro, Small and Medium Enterprises

**UDYAM
REGISTRATION CERTIFICATE**

Our small hands to make you LARGE

TYPE OF ENTERPRISE	MICRO	MANUFACTURING
UDYAM REGISTRATION NUMBER	UDYAM-WB-08-0001049	
NAME OF ENTERPRISE	M. P. ENGG. PRODUCTS.	
SOCIAL CATEGORY OF ENTREPRENEUR	General	
NAME OF UNITS	S.No. Unit Name	
OFFICIAL ADDRESS OF ENTERPRISE	Plot Door Block No. Villager Code Road Street Lane State Mobile	
DATE OF INCORPORATION / REGISTRATION OF ENTERPRISE	02-05-2011	
DATE OF COMMENCEMENT OF PRODUCTION BUSINESS	02-05-2011	
NATIONAL INDUSTRY CLASSIFICATION CODE(S)	S.No. NCI 2 Digit NCI 4 Digit NCI 7 Digit Authority	
DATE OF UDYAM REGISTRATION	15-09-2020	

Disclaimer: This is computer generated statement, no signature required.
Printed from <https://udyamregistration.gov.in>

For any assistance, you may contact:

1. DDC HOWRAH
2. MSME-DI KOLKATA

**BE A CHAMPION
with the
Ministry of
MSME**

FOSMI
Federation of Small & Medium Industries, W.B.
Incorporated on June 22, 1959 Registration Number 24279
23, R. N. MUKHERJEE ROAD, KOLKATA - 700 001

CERTIFICATE OF MEMBERSHIP

This is to certify that M/s **M. P. ENGG. PRODUCTS** of **ICHAPUR ROAD, SEALDANGA, KALITALA, SANTRAGACHI, HOWRAH 711 104** has been enrolled as a member of the Federation with effect from **12.08.2015** and is allotted Membership No. **1458/2015**

Secretary President

Revalidated upto 31 March

Place **KOLKATA** Year _____
Date **12-08-2015** Secretary _____



GEAR

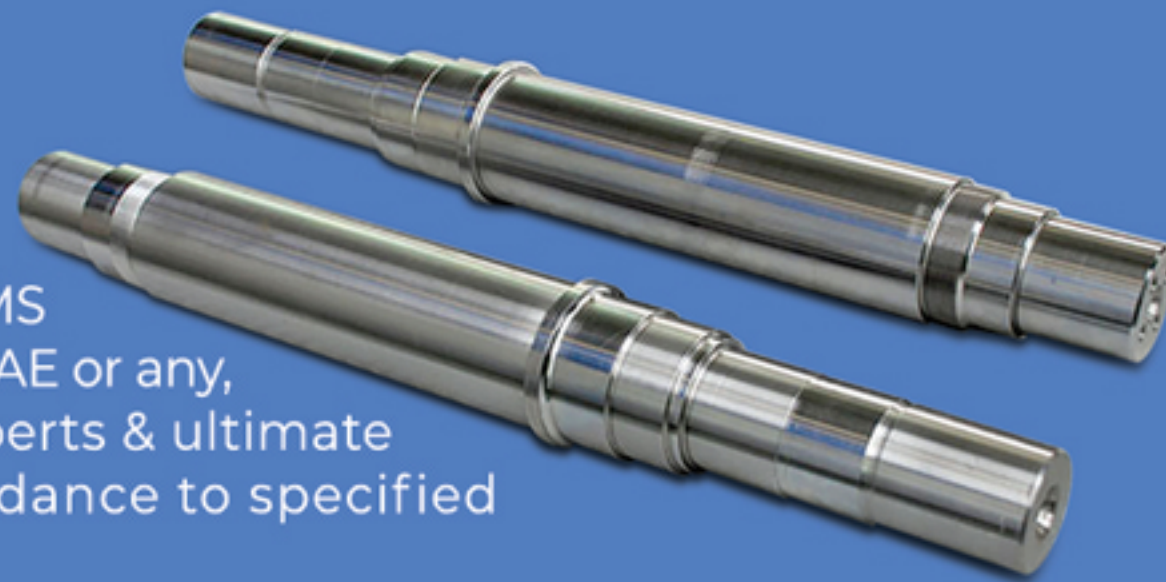
We supply a wide range of spur gears and bevel gears for varied industrial and machinery applications. Manufactured using latest technology, our precision engineered spur gears and bevel gears deliver superior performance even in most demanding conditions.

Specifics :

- 1 module to 6 module
- Range of tooth sizes from 12 to 127
- Tooth Spur Gears up to 1600 mm diameter
- Helical Gear up to 710 mm

SHAFT

MPEP are a full time engineering and a dedicated Shaft Manufacturing company. We manufacture almost all type of shafts of various materials such as MS or Alloy Steel, Carbon Steel as per ASTM, BS, IS, AISI, SAE or any, shafts are complied with the support of skilful experts & ultimate quality metal and existing machineries in accordance to specified standards and others as per buyers requirements.



COUPLING

We manufacture cast iron couplings as well as an extensive range of coupling. Our coupling quality is built into the manufacturing process at every steps. Control of purchased material, process checks & testing at every steps and comprehensive final assemble & inspection process ensures that only conforming products are sent to our customers as a customized.



SPROCKET

MPEP manufactures & supplies completely tested high quality range of Simplex, Duplex, Triplex, Conveyor, Plant types of Industrial Sprocket to our most reliable clients. MPEP Sprockets conforming to ANSI standards are also being manufactured based on Customer requirements.



BUSH

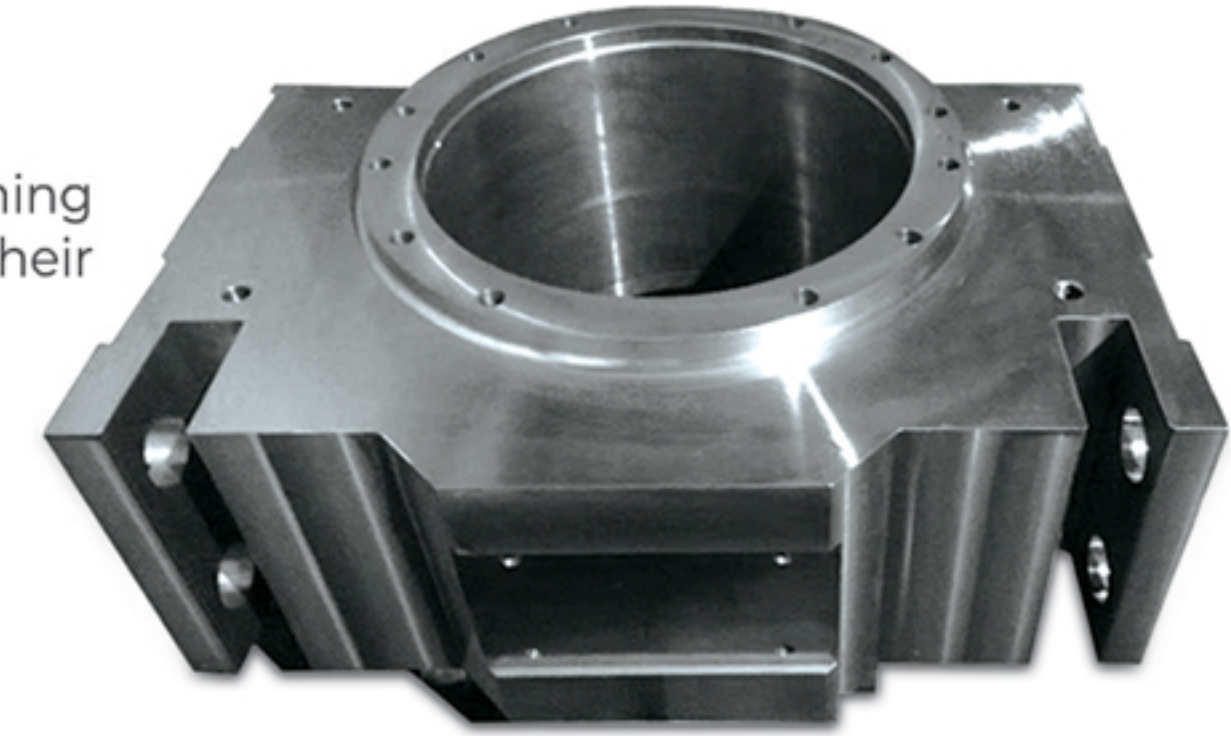
We "MPEP" as prominent manufacturer of varieties bush & sleeve. This bush & sleeve is supplying of premium quality raw material and modern technology in compliance with set industry standards. In addition to this, offered products are available in various sizes & those meet customers' specific requirements and thus ensure complete satisfaction.

BEARING CHOCK

We gained expertise in Bearing Chocks. We manufacture as per various specifications by maintaining perfection & highest quality standards. MPEP garner varieties customers by customizing as per their requirement.

We provide complete Bearing Chocks with all components like;

- Chocks
- Lubrings
- Chuck Nuts
- Flange
- Ears
- Threading Key with Allen Key Bolts
- Threading Lock with Allen engineering superior quality Key Bolts



FLYWHEEL

We manufacture of advanced flywheel assembly in various specifications. Our high quality raw materials we are able to develop assembly as per the customers. Our Flywheel into the manufacturing Control of purchased checks, anti friction bearings, dynamically absorbing design & testing at comprehensive final assembly ensures that only conforming products are sent to our customers as a customized.



flywheel assembly in various specifications. (cast steel, cast iron, and fabricated steel), composite flywheel requirements of the assembly quality is built process at every step. material, process spherical roller balanced & vibration every steps and & inspection process



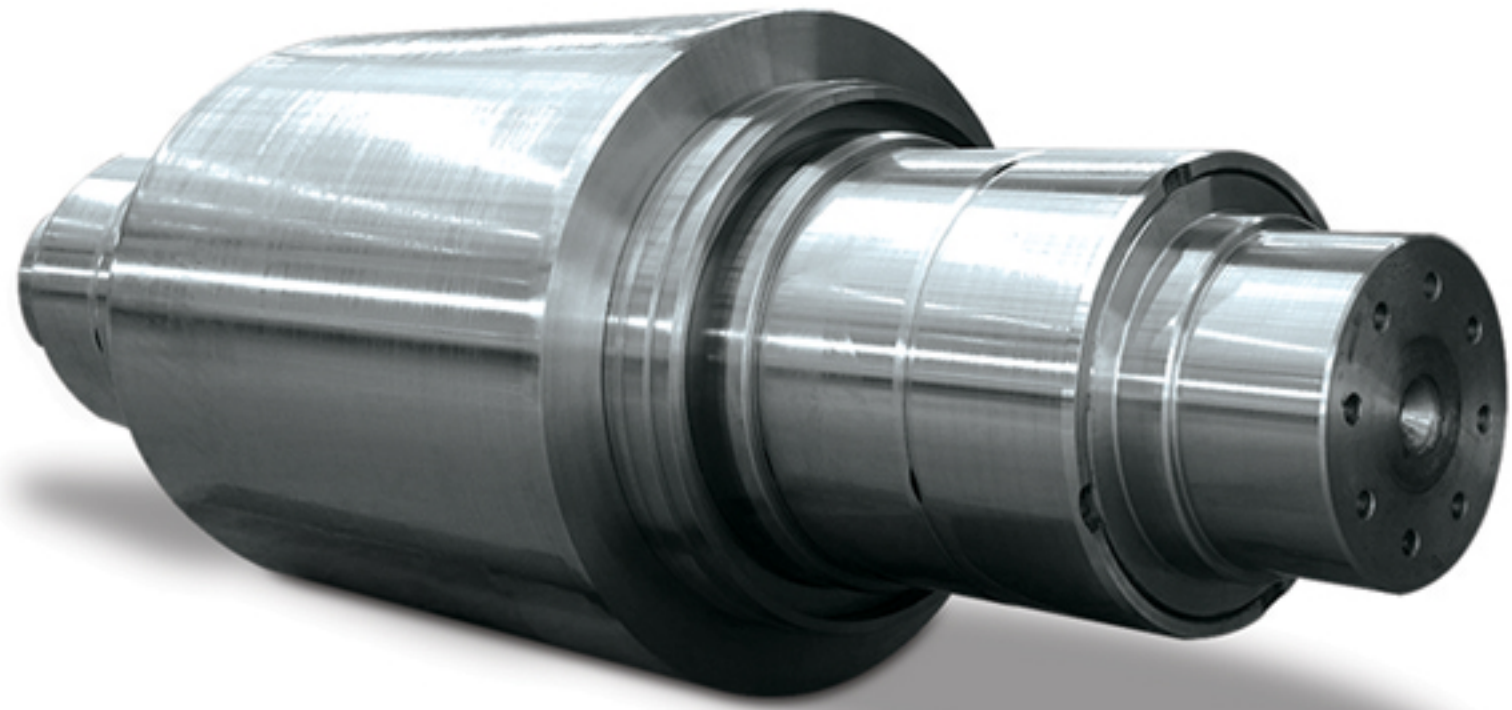
PULLEY

We are a leading manufacturer of varieties Industrial Pulleys, qualitative materials and advanced technological standards. Highly acclaimed for efficient, various sectional & perfectly matching, wide range, safe and reliable operation, very low maintenance & customized Finishing.

WHEEL SPACER

MPEP gained expertise in Wheel Spacer Inner & Outer. We manufacture as per various specifications optimum grade metal by maintain perfection & highest quality standards as per customers at most competitive rates.





FORGED ROLLS

We are manufacturer in the business of rolling mill rolls. Our high quality mill rolls for wire rod rolling, steel re-rolling, tube and pipe mill rolling, etc. These cold rolling mill rolls are manufactured through the centrifugal spin casting method. We offer the premium quality to all our customers at reasonable cost & to ensure optimum client satisfaction.

SPRAY NOZZLE

We gained expertise in engineering superior quality Spray Nozzles. We offer various specifications with perfection and fabricate the products on highest standards. MPEP gather verities customers by customising as per their requirement.

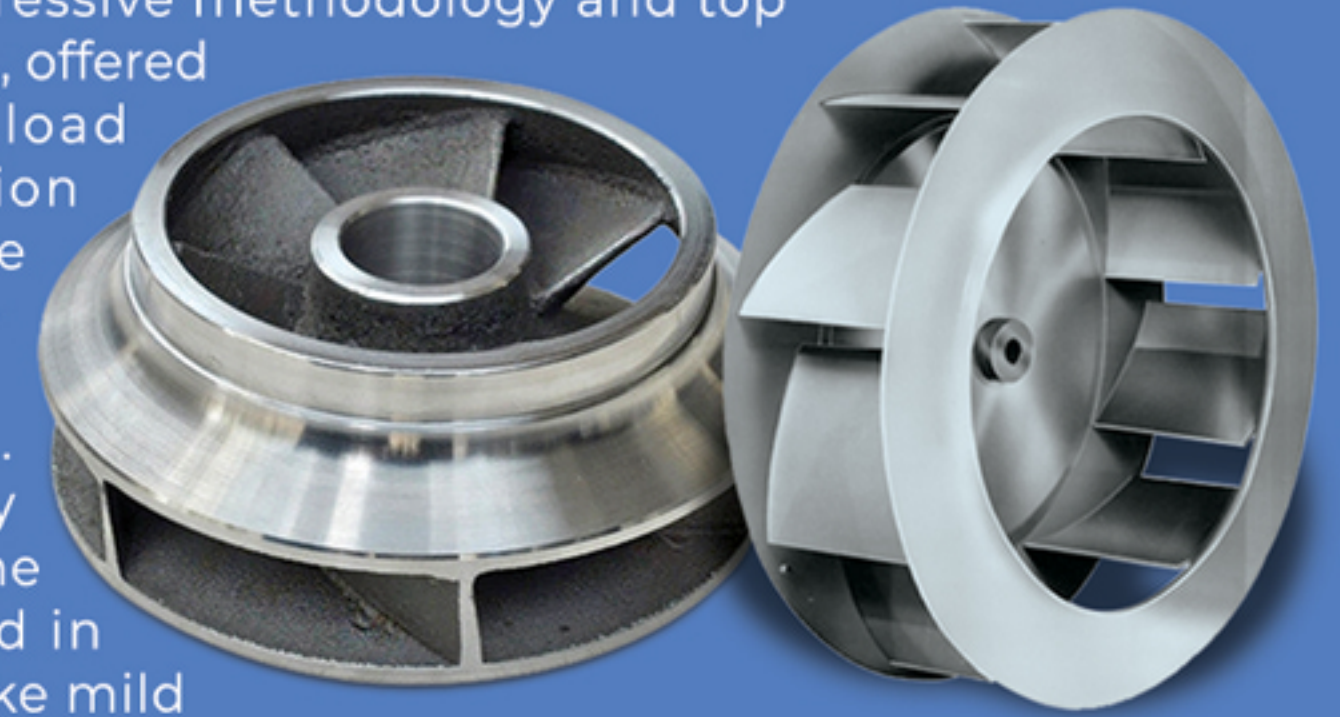
We offer :

- Tangential & others Full Cone Nozzle
- Wide Angle & others Flat Fan Nozzle
- Multiple Cone Nozzle
- Hollow Cone Nozzle
- Flat Jet Nozzle
- Fog Jet Nozzle
- Spiral Nozzle
- Mist Nozzle



IMPELLER

We are involved in offering a various designs and sizes of Industrial Blower or Impeller to our most valued clients. Our Impeller manufactured by our skilled professionals using progressive methodology and top notch quality components, offered precision design, High load capacity and construction standards so as to meet the demands of vibration free operations as well as optimum service life. Balancing the air quantity and air pressure needs, the impellers can be offered in different metal options like mild steel, stainless steel, aluminum, any Casting, rubber lining impellers and other as per customization. Some of its features include statically and dynamically balanced finish, suitability for use in industry sectors like boiler and furnaces, heavy engineering, thermal power stations, textile, food processing paper plant and others. Our range of Blower Impeller is widely appreciated by our clients. We offer our range of Blower Impeller at most reasonable prices.



Subdivided into the following;

Impeller types

- Radial impeller
- Mixed flow impeller
- Peripheral impeller

Three basic types

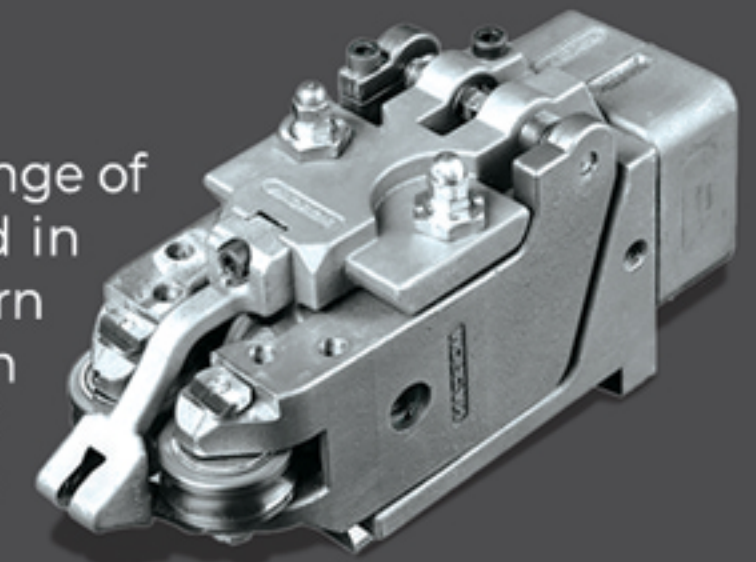
- Open impeller
- Semi-open impeller
- Closed impeller

Impellers can be either

- Single-suction
- Double-suction
- Axial flow impeller

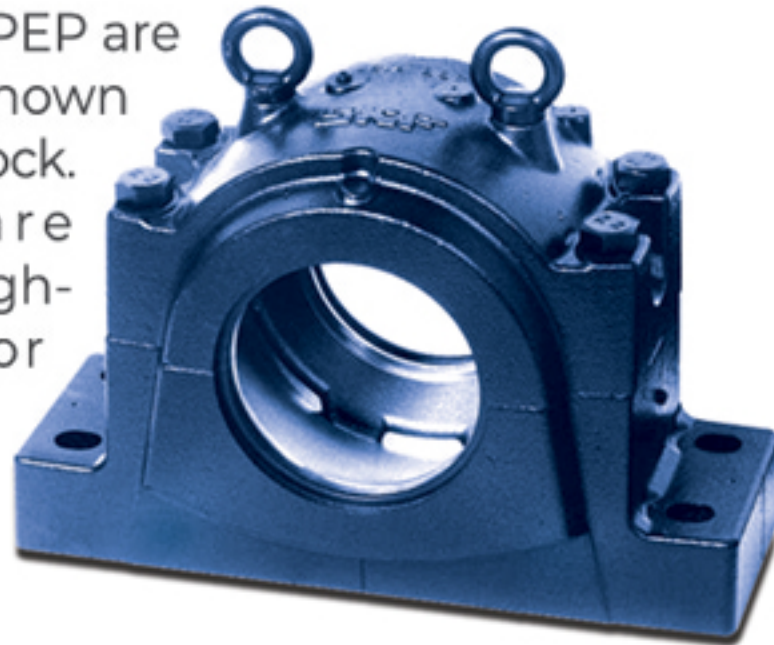
ROLLER ENTRY GUIDE

We (MPEP) are manufacturing and supplying of a wide range of Roller Entry Guide Box. Our products are widely used in rolling mill, & others plants are well known for their modern technology, trouble free performance & Great strength due to their high efficiency and rigid construction. MPEP gather varieties customers by customizing as per their requirement at very economical prices.



PLUMMER BLOCK

Amongst our clients MPEP are enlisted as the better known provider of Plummer Block. Plummer blocks are manufactured from high-strength cast iron for durable as variety standard & others as per buyers' requirements.



SHEARING BLADES

All of our shearing blades are manufactured from the highest-quality alloys using, ultra tested, heat treatment process & close tolerance quality control standards.

Features:

- TC always NABL LAB for quality maintain
- Precise Geometry of Cutting Edges.
- Robust construction & Perfect Matching Sets
- Maximum performance for long service life
- Special Heat Treatment and Metallurgical Control
- Customs made to order.



INDUSTRIAL FASTENERS

MPEP is the leading manufacturer of steel / Industrial fasteners in India. Our Steel Fasteners division is specialized in manufacturing of various materials such as MS or Alloy Steel, Aluminum, Bronze, Carbon Steel etc. as per ASTM, BS, IS, AISI, SAE or any austenitic grade of fasteners. We provide different sizes, ultimate quality products as per ASTM, DIN, BS, JIS etc. finished with different plating, coatings, dry film lubricant in different colors, Hot Dip Galvanized & Black Phosphate with international standards and also as per specific customer requirements.

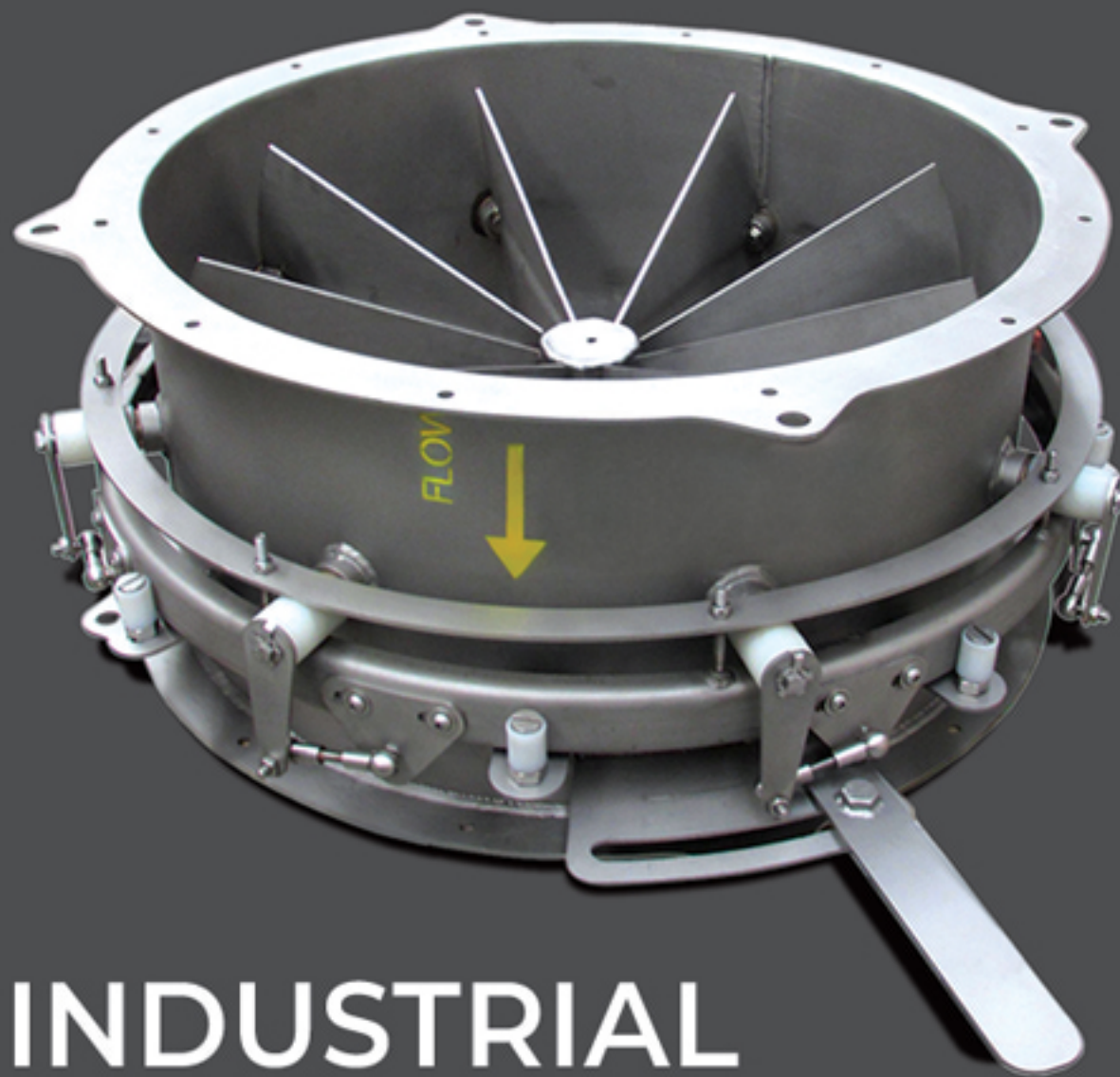


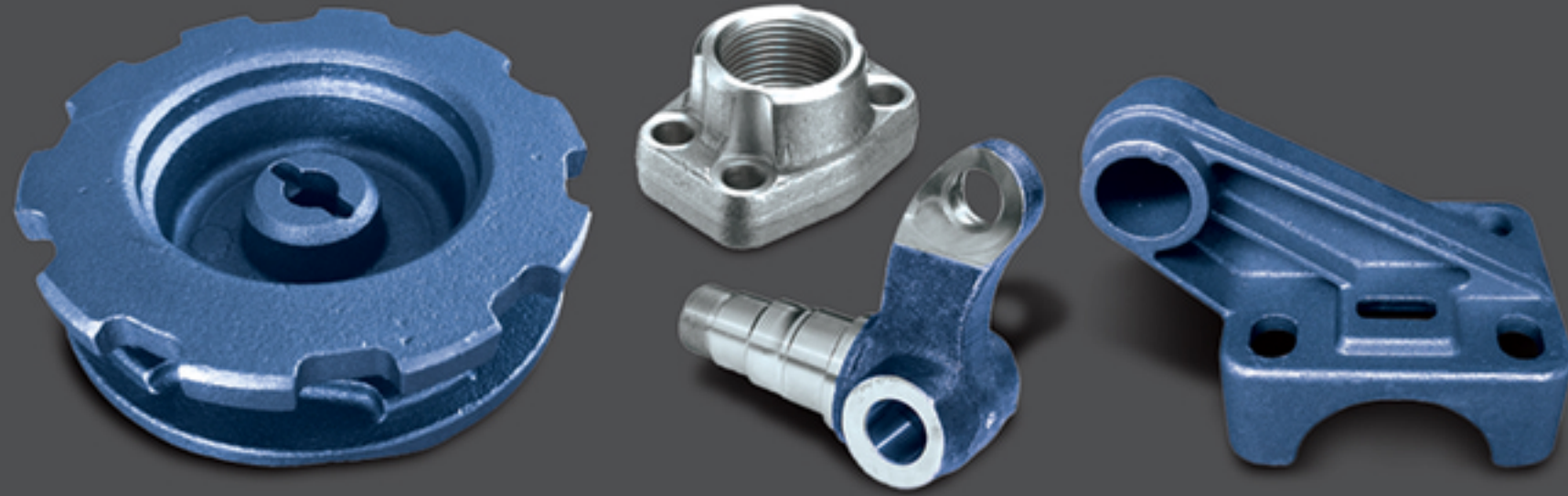
Range

- Studs
- Hexagon flange bolts
- U-Bolts
- Collar Bolts
- Hexagonal nuts
- Dowel screws
- Hexagon socket head cap screw in full thread and half thread
- Threaded rods
- Various types of Industrial Washers and many more
- Hexagonal headed bolt
- High Tensile Bolts
- Foundation Bolts
- Cold Forged Bolts (Made to Drawing)
- Square weld nuts
- Hexagon socket button flange screw
- Split pin
- Round head square neck bolt
- T-Bolts
- Connecting rod bolts / nuts
- Square nuts
- Hexagon weld nuts

INDUSTRIAL DAMPER

We gained expertise in Dampers. We manufacture as per various specifications by maintaining perfection, process checks, testing at every steps & highest quality standards. MPEP garner varieties customers by customizing as per their requirement.





CAST IRON COMPONENTS

MPEP provides complete solution to Customers by developing Cast Iron components (Graded, different specification & Heat Resistant) based on Engineering Drawings, Casting Patterns are quickly created from Drawings and supplying them in complete Machined & assemble condition, an optimum quality tested end product as per required specifications.

MACHINING COMPONENTS

MPEP have established themselves as one of the premier manufacturers and fabricators of a qualitative and precision range of industrial machining component. We also supply miscellaneous mechanical items with complete machining, heat & surface treatment and assembly as per customer requirement. We are a leading supplier to a variety of industries, such as Parboiling Plant, Pellet, D.R.I-Plant, Ferro Alloy Plant, W.R.M, C.M.C, S.M.S, S.I.D, Rolling Mill, Power Plant, Steel Plant, Cement Plant, Water Treatment Plan & Railways. Moreover, our dexterous workforce, ethical business practices and optimum quality tested end products, totally customer-oriented and strive to respond quickly towards customers' need and satisfaction.



INDUSTRIAL BLOWER

We (MPEP) design, manufacture and supply a range of high quality centrifugal blowers. Designed using the advanced technology, these blowers are energy efficient, compact, lightweight, durable, cost-effective and requires little or no maintenance over the working life. Further, these are also custom designed as per the requirements of the clients.



CNC & VMC JOB WORKS

Keeping in view assorted requirements and demands of our honored clientele, we are competent to render VMC & CNC Machining Job Work to our customers. Our service is accomplished using the advanced techniques. VMC & CNC machining centers are ideal for working with steel, aluminum, brass, carbon steel and other specialty materials. We can provide a number of custom finishing services, such as full anodizing, carbon blacking, hard coating for aluminum custom machined parts, and electrogalvanizing for steels and ferric materials



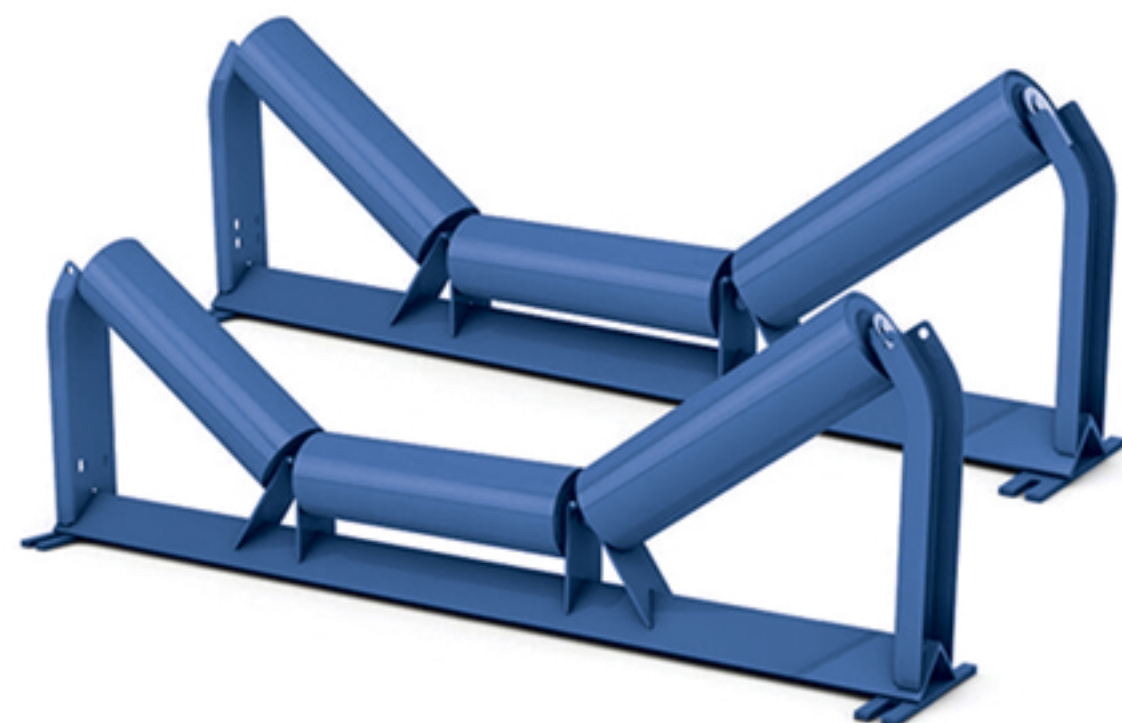
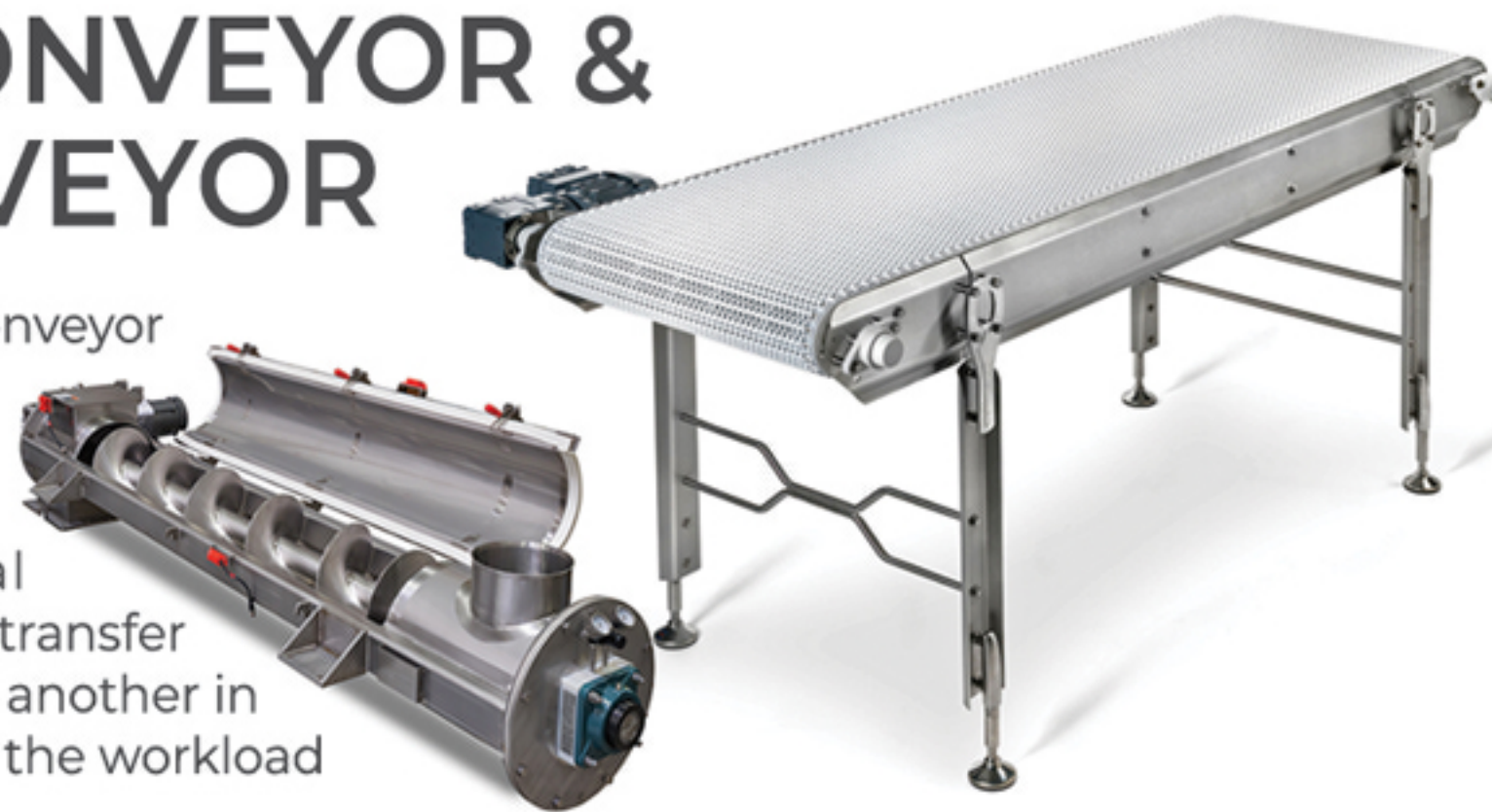
SOME OF THE PRODUCTS WITH STATE OF THE ART TECHNOLOGY

MPEP one of the leading manufacturer, supplier and exporter of a wide range of material handling equipments and conveyor systems. Our different types of handling equipment are extremely versatile, and can be utilized in a varied number of industries.

We are specialised in Industrial blower, steel slant equipments, power plant equipments, pellet, direct reduced iron plant, ferro alloy plant, wire rod mill, continuous casting metal, steel melting shop, sponge iron division, rolling mill components etc.

SCREW CONVEYOR & BELT CONVEYOR

Our range includes Belt Conveyor & Screw Conveyor, Roller with Bracket, Guide Roller for Belt Conveyor, Belt Conveyors and Industrial Belt Conveyor. It is used to transfer material from one place to another in an industry that decreases the workload from the manpower.



IDLERS

M P Engg Products is a highly established designer, manufacturer and supplier of top quality Idler roller components in India. We are known for our exquisite products that we create from the finest raw materials.

BUCKET ELEVATOR

We are instrumental in offering Bracket Elevator to our valuable customers. Owing to their accurate dimension, impeccable finish, resistance to corrosion and longer operational life, these brackets offered by us are highly demanded in the market. By using advanced quality testing tools, the optimum quality of the offered brackets is never compromised. We are offering customize size.



PNEUMATIC SLIDE GATE

We (MPEP) are ahead of our competitors in market for designing, manufacturing and supplying proven quality heavy duty Pneumatic Slide Gate.



CYCLONE SEPARATOR

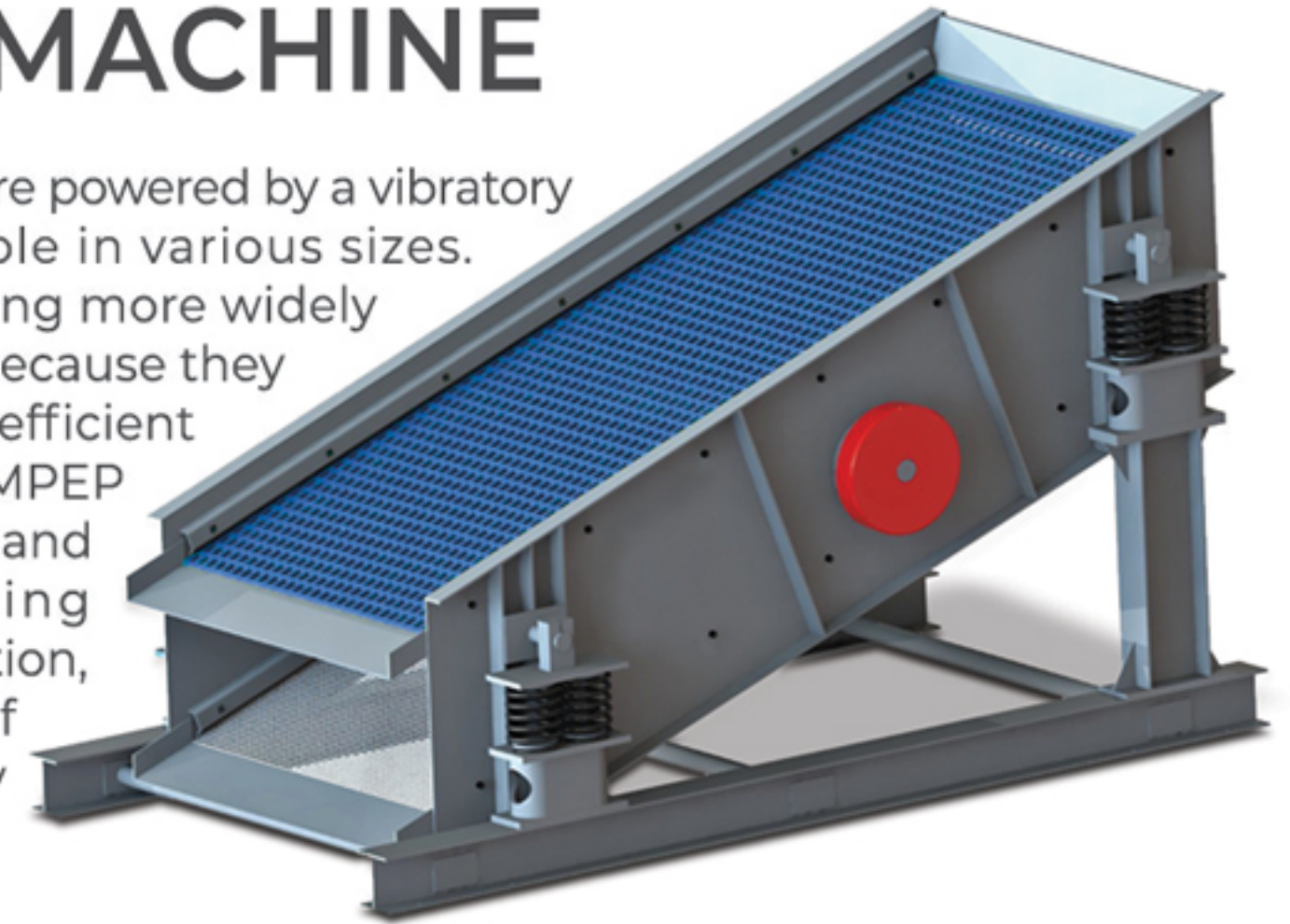
We (MPEP) also manufacture Cyclone separator which are simple tanks with no moving parts, air flows in a spiral pattern, start at the top of the cyclone and ending at the bottom end and used oil, gases and wood dust separate, rich industry, cement industry, pharmaceuticals industries and vacuum cleaners and numerous industries

MAIN FEATURES :

- Compact & robust designed
- Standard atmospheric (gravity flow) or Pressure (pneumatic conveying) designs
- Manual, pneumatic or electric actuation
- Mild steel and stainless steel materials
- Quick disassembly features for frequent cleaning
- Easy installation
- Low maintenance
- Abrasion resistant

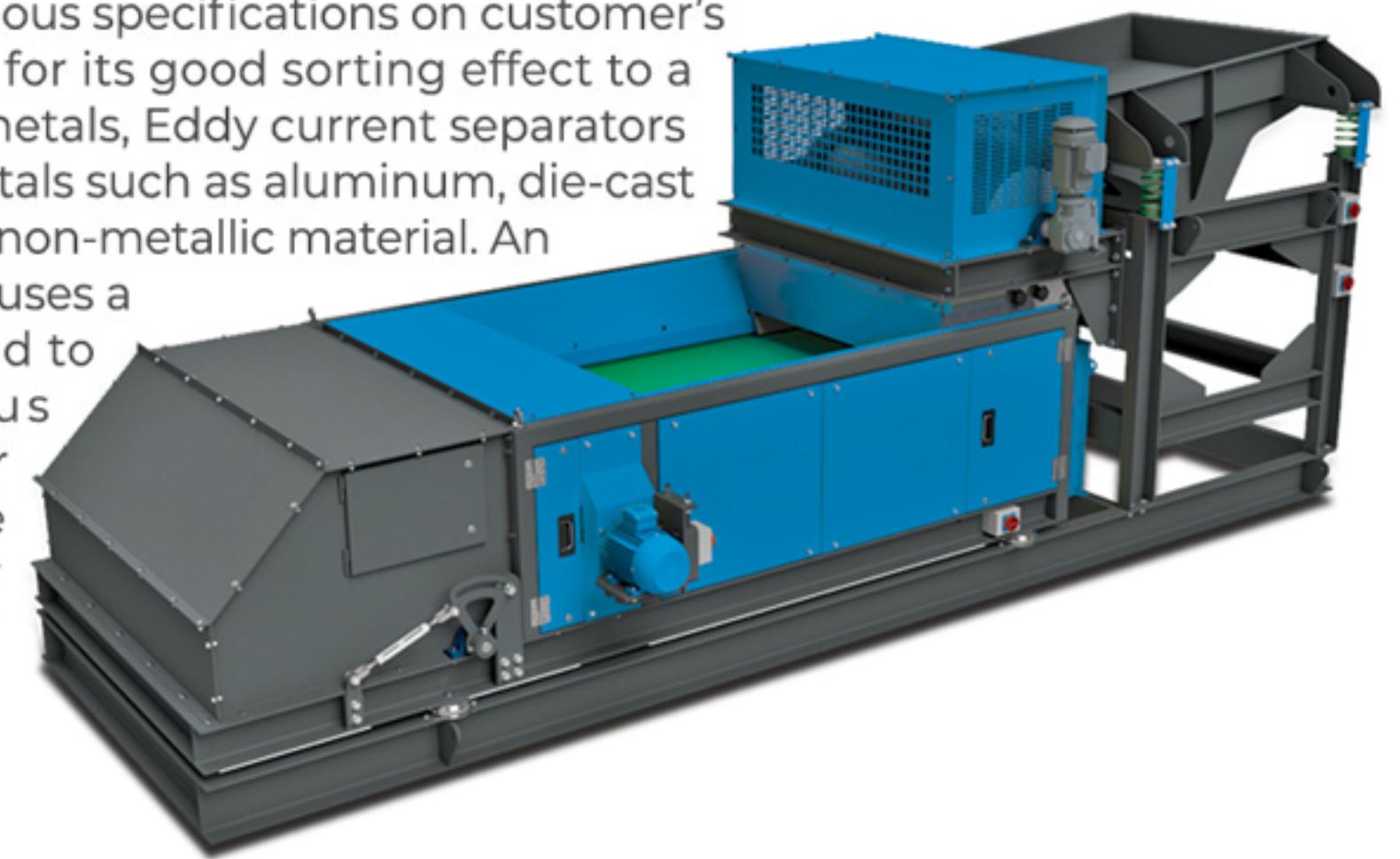
VIBRATORY SCREENING MACHINE

The MPEP vibrating screeners are powered by a vibratory motor. The machine is available in various sizes. Vibratory screeners are becoming more widely used across various industries because they allow for strict size-control and efficient separation in material sorting. MPEP vibrating screeners easy-to-use and high-performing part-feeding machines, less power consumption, better profits, better rates of efficiency and less dependency on manpower.



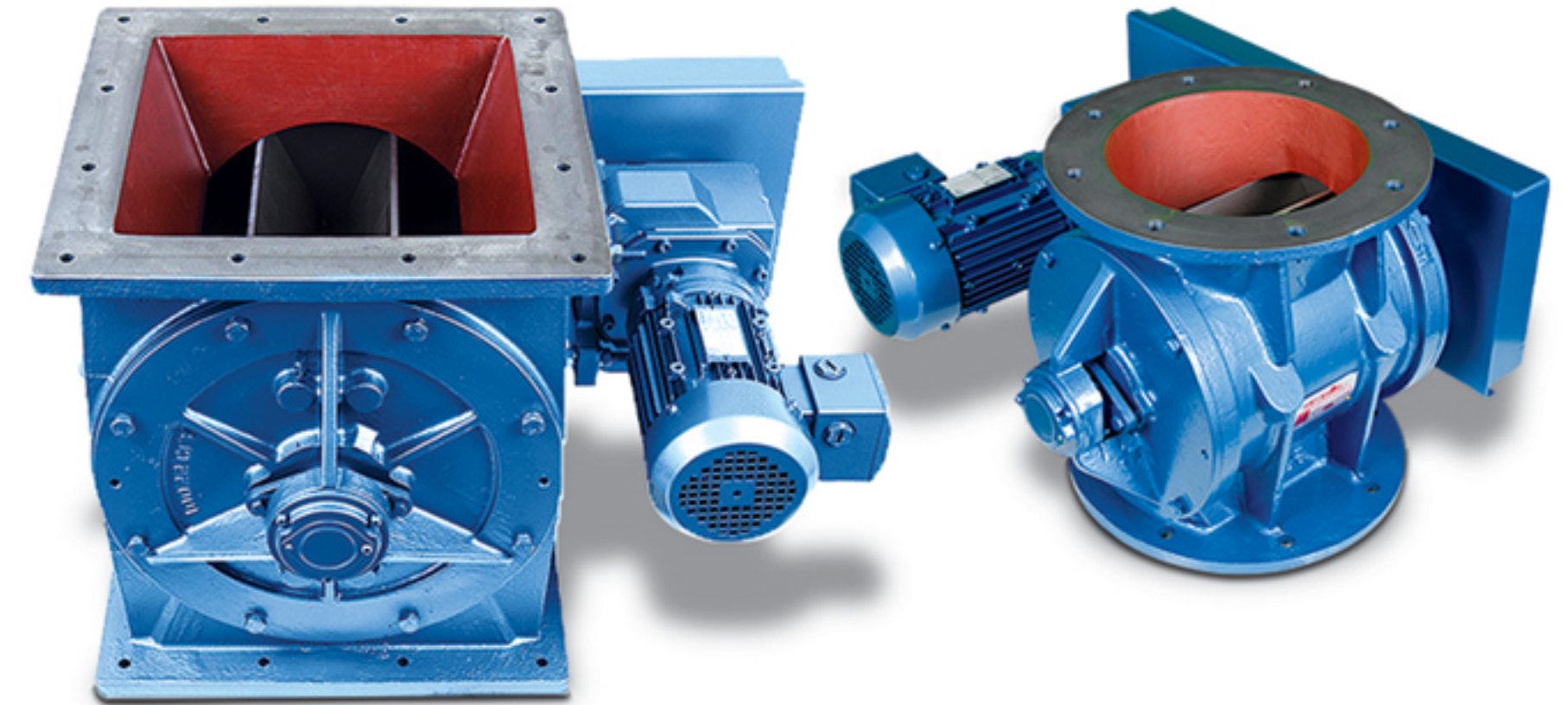
EDDY CURRENT SEPARATOR

We (MPEP) are the prominent organization to offer a qualitative assortment of Eddy Current Separator in various specifications on customer's demand. This is known for its good sorting effect to a variety of non-ferrous metals, Eddy current separators remove non-ferrous metals such as aluminum, die-cast metal, and copper from non-metallic material. An Eddy Current Separator uses a powerful magnetic field to separate non-ferrous metals from waste after all ferrous metals have been removed previously by some arrangement of magnets.



DUST COLLECTOR

Designed to handle heavy dust loads, a Dust Collector system consists of a blower, dust filter, a filter-cleaning system and a dust receptacle or dust removal system. It is distinguished from air cleaners which use disposable filters to remove dust. The dust free air is sucked by induced draft fan and is exhausted to atmosphere.



ROTARY AIR LOCK VALVE

We (MPEP) are engaged in manufacturing and supply Rotary Air Lock Valve. Rotary Air Lock valve used on dust collection systems, large and medium size bag filter systems, screw feeder feeding / discharging, mixing, Silo emptying, cyclone discharging, dosing, batching, pneumatic conveying applications, conveyor feeding / unloading, machinery and equipment feeding / discharging.

MAIN FEATURES :

- Robust, close tolerances for internal surface machining ensures effective sealing
- Different pressure differentials are achieved by adjustable Blade tips
- Drives- Direct Driven / Chain Driven
- Continuous operation is achieved by its rugged design
- Different capacity is available to meet user requirement
- Corrosion resistance air lock valve



FABRICATION

The range of our fabricated product ranges from complete structure of I.D. fans, F.D. fans, industrial centrifugal blowers including pipelines with leak-proof joints from suction to delivery points, irrespective of shape or size (round, square or any other geometrical configuration as per customization) to fabrication of any structure as and when required by customer with leak-proof joints as per the necessity for end use.

Apart from the regular tools and tackles, we are well equipped with machineries such as gas cutting torch with various nozzles, electric arc welding generators, gas welding device with applications of inert gas operated by highly skilled operators processing thorough knowledge and skills about

- V-Joints (Single/Double)
- Butt joints (Single/Double)
- Sim Joints, Lap Joints, Spot Joints
- Stitch Joints (Regular/Irregular)
- Filter joints etc



Welding of fabricated structures are carried on as per norms specified in IS specifications or customer's specified demand.

We also undertake turnkey projects from start to finish supported by a sufficient group of well-experienced engineers and technically skilled personnel.

We also have the facilities for leak-proof testing of welded joints through

- Soap water Test
- D.P. Test
- Radiography Test by X-ray/Y-ray.



LIST OF MAJOR CLIENTS

INTEGRATION TO CUSTOMERS DEMAND

We always take care about requirements of our client to solve different troubles and problem in their duty activity.



SOUTH CENTRAL RAILWAY



BINA METAL WAY PVT. LTD.



Jcl Infra Limited



ANKIT
ANKIT METAL & POWER LTD.



PANCHAYATS & RURAL DEVELOPMENT DEPARTMENT
GOVT. OF WEST BENGAL



M. P. ENGG. PRODUCTS

AN ISO 9001 : 2015 CERTIFIED COMPANY

Ichapur Road, Sealdanga, Kalitala, Santragachi
Howrah -711104, West Bengal, India

+91 98042 02411, +91 89106 91964

info@mpep.co.in

www.mpep.co.in

Durgapur - +91 81038 18291

Raipur - +91 99034 14199

Member of

Indian Council of Small Industries

Federation of Associations of Small Industries of India

Federation of Small & Medium Industries



Registered with

एन. एस. आई. सी.

NSIC
ISO 9001: 2008

We believe in customizing our supplies to service your unique requirements. Let our engineers put together a tailor-made package to address your specific needs and bring you competitive costing, consistent quality, just-in sequence every time and uninterrupted supplies.

